

# The Versatile P.O.S. 10.4" TFT LCD Color Monitor



**Brilliant Black and OA White**  
Two Colors Optional

**RoHS Compliance**

**Features:**

- ▶ Full 10.4" Viewable Display  
Crisp Image
- ▶ On Screen Display Easy to Use
- ▶ Auto Scaling Function Simply " i-touch "
- ▶ Base Wall Mountable With Tilt 90° Adjustment
- ▶ Ideal for POS/Kiosk Users and Windows Application
- ▶ Power Consumption 18W/2.5W DPMS
- ▶ Lightest Weight 1.1kg/0.8kg Without Base
- ▶ Super Slim Space Saving 33mm Depth
- ▶ State-of-the-Art Design
- ▶ Touch Version Availability
- ▶ Anti-Reflection Strengthen Glass Availability



**Stand Base for Type A**



**Stand Base for Type B**



**VESA Wall Mounting**  
Meet VESA Standard (75x75mm)



**Compact Design**  
Super Slim 33mm Depth,  
1.1 kg With Base



**"i-touch" Auto Adjustment**  
The Intelligent One Touch Key, Automatically Set Your Monitor to Optimal Position.





# The Versatile P.O.S. 10.4" TFT LCD Color Monitor

## Optional



Touch Screen



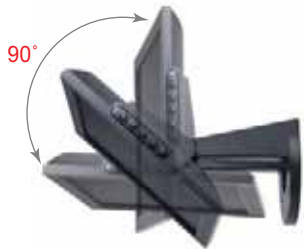
Anti-Reflection  
Strengthen Glass

MODEL		LP-10Rxx
Panel *	Viewing Area	10.4"
	Resolution	800 x 600 SVGA
	Color	262,144
	Viewing Angle	Horizontal: 130° & Vertical: 100°
	Response Time Tr/Tf	6/19 ms
	Contrast Ratio	400:1
	Brightness	250 cd/m <sup>2</sup>
Video Input	VGA Signal	R/G/B Analog VGA
	Scan Frequencies	H: 31.5 ~ 48 KHz
		V: 56 ~ 75 Hz
Control	Power	On / Off with LED Indicator
	OSD	OSD Control with "i-touch" auto scaling
Power Adaptor	Input	Universal AC 100 ~ 240 V, 50 / 60 Hz
	Output	DC +12 V
Power	Management	VESA DPMS Standard
	Consumption	18W / 2.5W
Environment	Temperature	0°C ~ 50°C
	Humidity	20% ~ 85%
Safety & EMI		FCC, UL, CE, TÜV / GS, CCC
Applications		POS, Banking, ATM, IPC, TML, Web IA, Mini PC, ...etc
Optional		
	Touch Panel	Resistive (4 Wires) RS232 or USB
	Glass	Anti-Reflection Strengthen Glass
	Cabinet Color	White or Black

\* Panel Spec. depends on MFC

Specification is subject to change without notice.

## Type A



### Tilt Base (0°~90°)

Tilt Function 0°~90° is Designed for Different Viewing Angles of Various Applications.



### Add-on Base

Swivel 56° from Left to Right

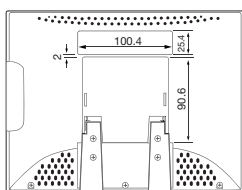
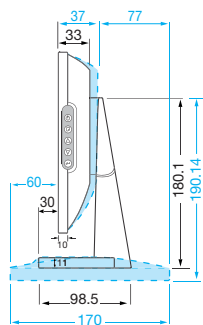
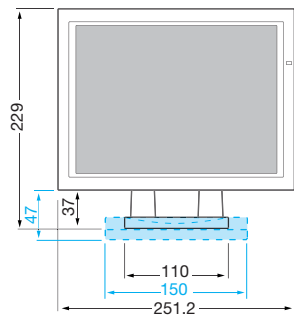


### Mounting Base

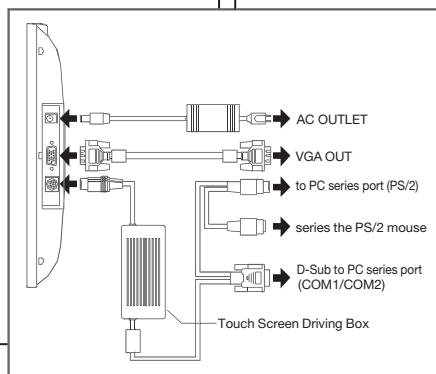
With a Simple Device, The Base Can be Fixed on Platform Such as Desktop, POS Machine or Wall.

### Add-on Base for Type A Only

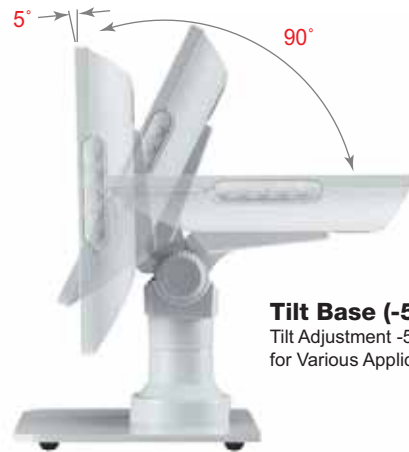
Model No: LP-10ABW (White)  
LP-10ABB (Black)



With Add-on Base

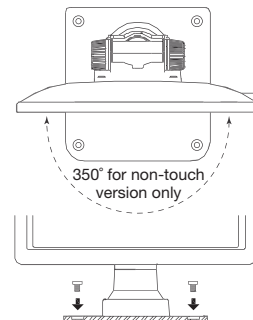
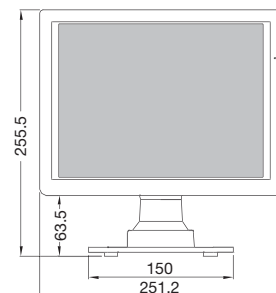
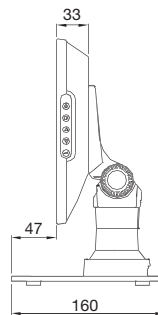


## Type B



### Tilt Base (-5°~90°)

Tilt Adjustment -5°~90° for Various Applications.



2006.06

