

Manual Hybrid Card Reader

V4KU

Manual Reader for Magnetic and IC Cards

- Long life (800,000 passes or 5 years) and high reliability with ceramic block magnetic head and low friction IC contact.
- Anti-fraud and vandalism with mechanical shutter, lock function, and security features
- Higher readability of magnetic card by wider grasp area and advanced software decoding algorithm
- EMV4.0 approved.
- Selectable bezel (round or flat) with tricolor status LED.
- Hardware designed for chip and pin TDES and RSA.



Ordering Information

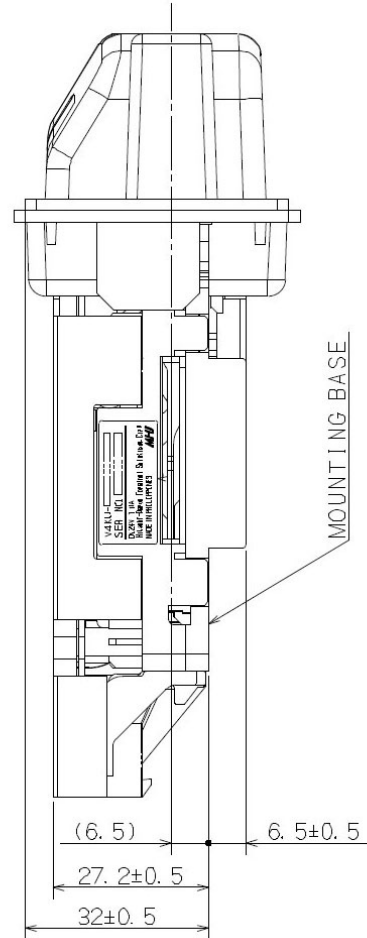
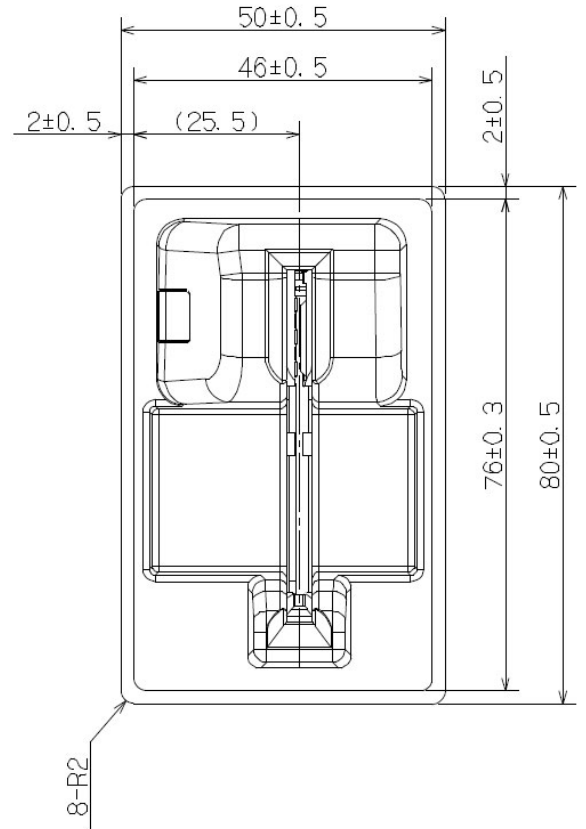
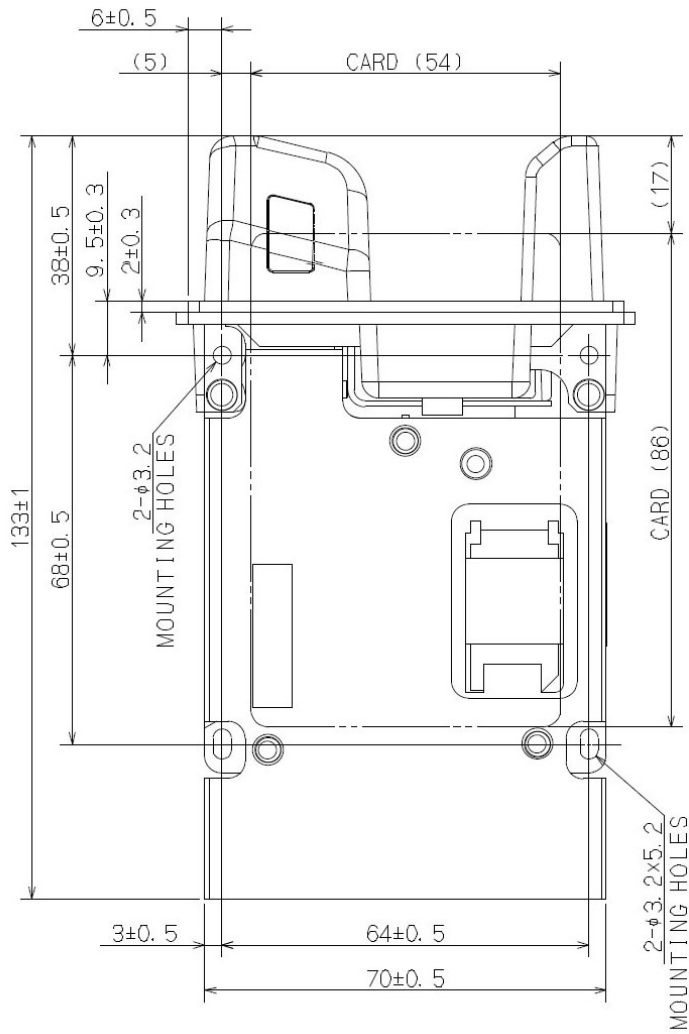
Track 1	Track 2	Track 3	JIS II	IC Card	Shutter	Interface	Front Insertion Guide	SAM	Part Number
R	R	R	-	Yes	Mechanical	USB	Round Bezel	1	V4KU-01JS-001
R	R	R	-	Yes	Mechanical	USB	Flat Bezel	1	V4KU-01JF-001
R	R	R	-	Yes	Mechanical	USB	Non Provided	1	V4KU-01JN-001

Specification

Part Number		V4KU
Recommended card type	Magnetic and ICC	ISO/IEC 7810, ISO/IEC 7811-1/2/3/6
Card feeding speed		100 – 1000 mm/sec
Card feeding direction		Bi-Directional capability (insert/pull out)
Service life of magnetic head		1,000,000 passes (minimum)
Service life of ICC contacts		300,000 operations
LED		Tri-Colour LED (Red, Green and Orange).
Operating power supply		+24V DC Maximum 2.0 A
SAM		1 SAM (Secure Application Module) standard
Power supply connector		Molex 5569-02A2-210 / 2nodes/4.2mm pitch / PCB
Interface		USB 2.0 Mini B Connector
Mounting location		Indoors - Away from direct sunlight or wet, humid environment
Ambient temperature	Operation	0° to 50° C
	Storage	- 25° to 70° C
Ambient humidity	Operation	5% to 85% RH
	Storage	5% to 90% RH
Vibration		10 to 150 Hz, single vibration width of 0.10 mm
Shock		150 m/sec ² , three times in six directions
Dimensions		80 W x 50 H x 133 L mm +/- 1mm
Weight		Less than 250g

All specifications may be subject to change without notice.

V4KU-01JS





V4KU-01JF

